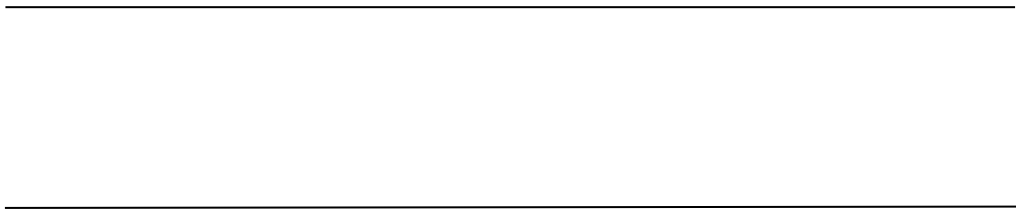


GHHP-2019-045



	" "
--	-----

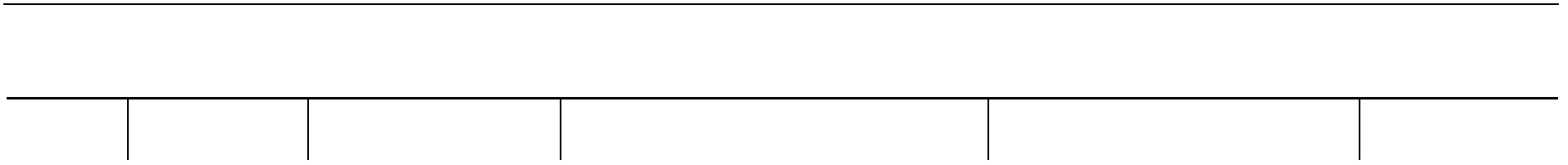


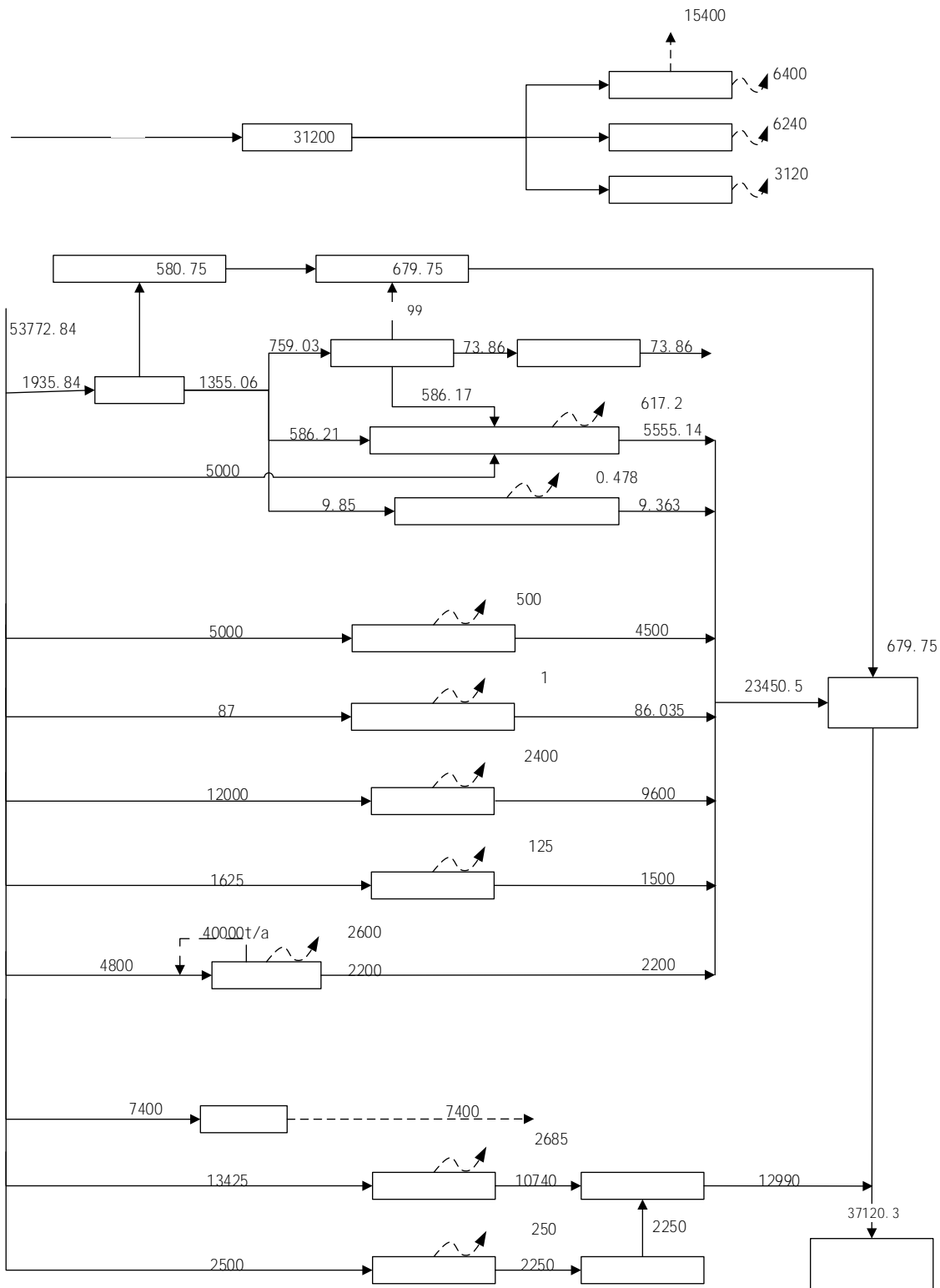
"

"

"

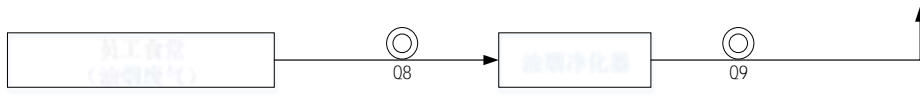
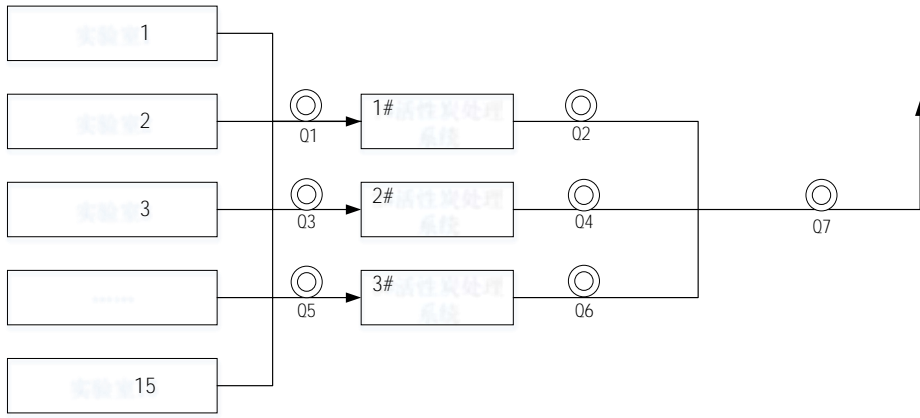
"











"

"

"

"

"

"

"

"

"

"

E C



"

"

"

"

			±	
			±	

x

			×		

kg/h



mg/L

" "



"

"

